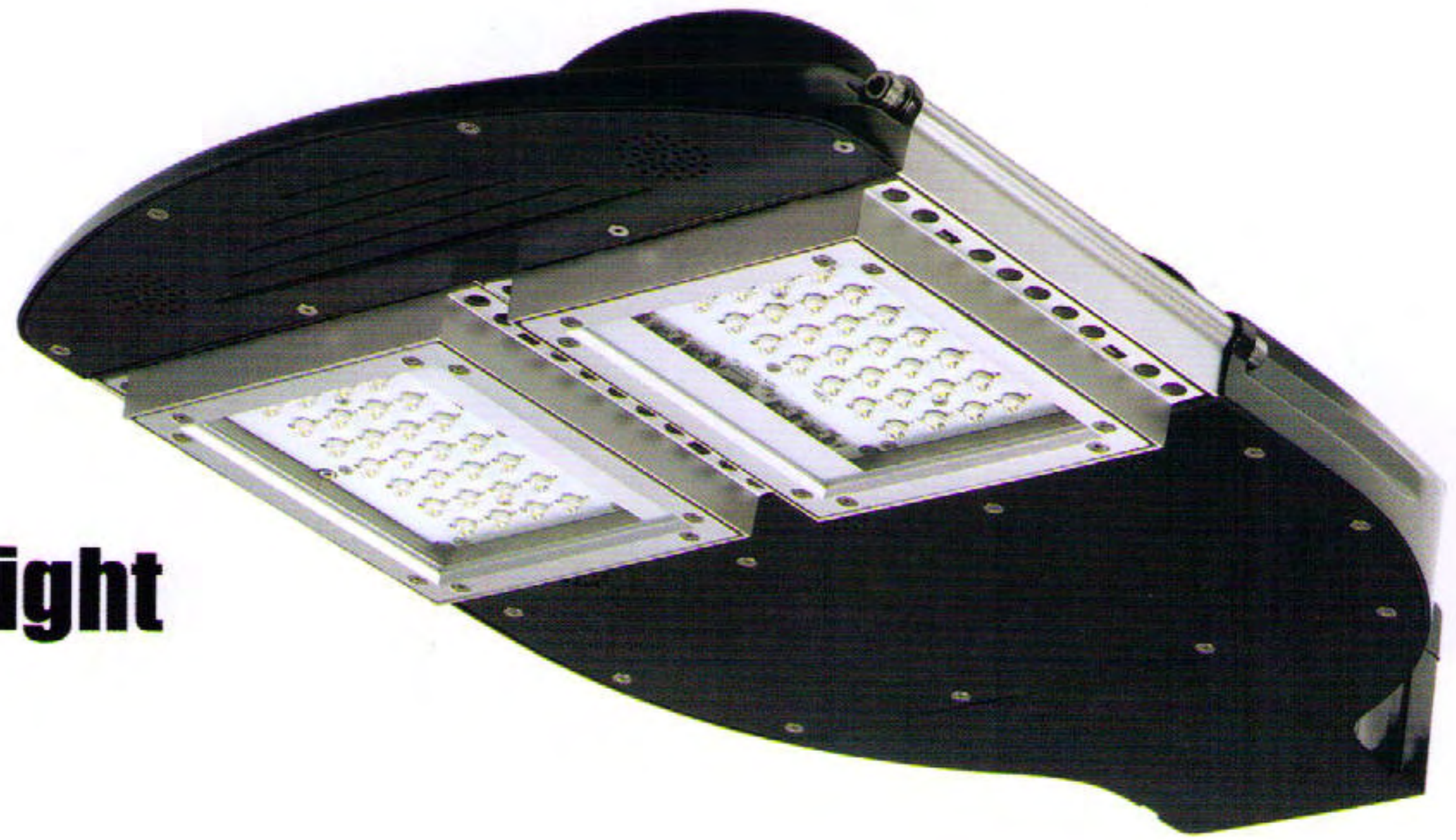
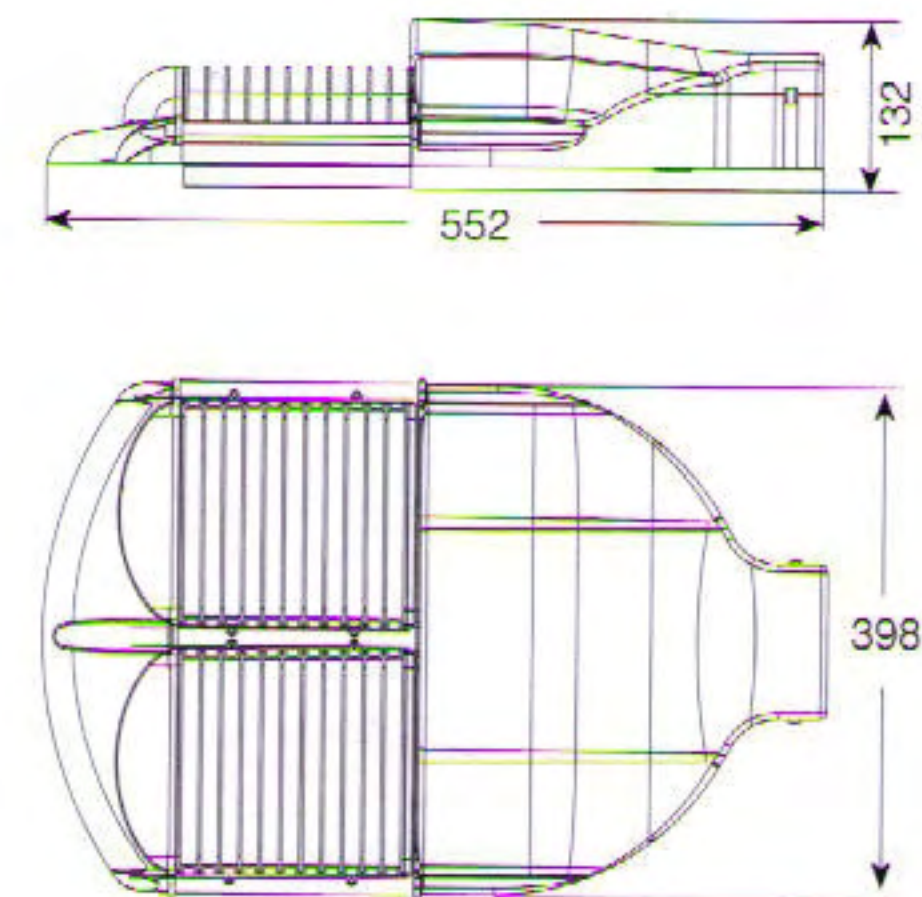


# 107 56W LED Street Light



Optical Spec	
LED Spec & Quantity	56 x 1W LED (White)
LED Color Temperature	3000-3500K/4000-4500K/5000-7000K
Luminaire Efficiency	90%
LED Efficiency	> 105Lm/W
Initial Delivered Lumen Tj=25°C	5400LM
Normal Luminors Flux Tj=66°C	5000LM
Illuminance & scope at 8M	28Lux, 21m x 9.75m
Illuminance & scope at 10M	16Lux, 28m x 13m
Color Rendering Index	Ra>75
Beam Angle	130° x 80°
Light Distribution	Type I , Type II
Electrical Spec	
Input Voltage & Frequency	AC100~277V DC12/24V for solar
Power Factor	>0.95
Input Current	0.33A (220V)
Total Power Consumption	72W
Temperature Spec	
Shell Temperature (Ta=30°C)	51°C
Junction Temperature (Ta=30°C)	64°C
Shell Temperature Rise (Ta=30°C)	21°C
Junction Temperature Rise (Ta=30°C)	34°C
Other Spec	
Operating Temperature & Humidity	-20°C~40°C (-40°C~0°C optional) / 10~90RH
Storage Temperature	-20°C~45°C
Dimension	L552 x W398 x H132mm
Net Weight	10Kg
IP Rating	IP65
Lifespan	50,000h
56W LED Street Light Equivalent To 150W HPS Lamp	

### Product Dimension (mm)



### Packing Dimension (mm)

1pcs/Carton  
800 x 580 x 260mm

