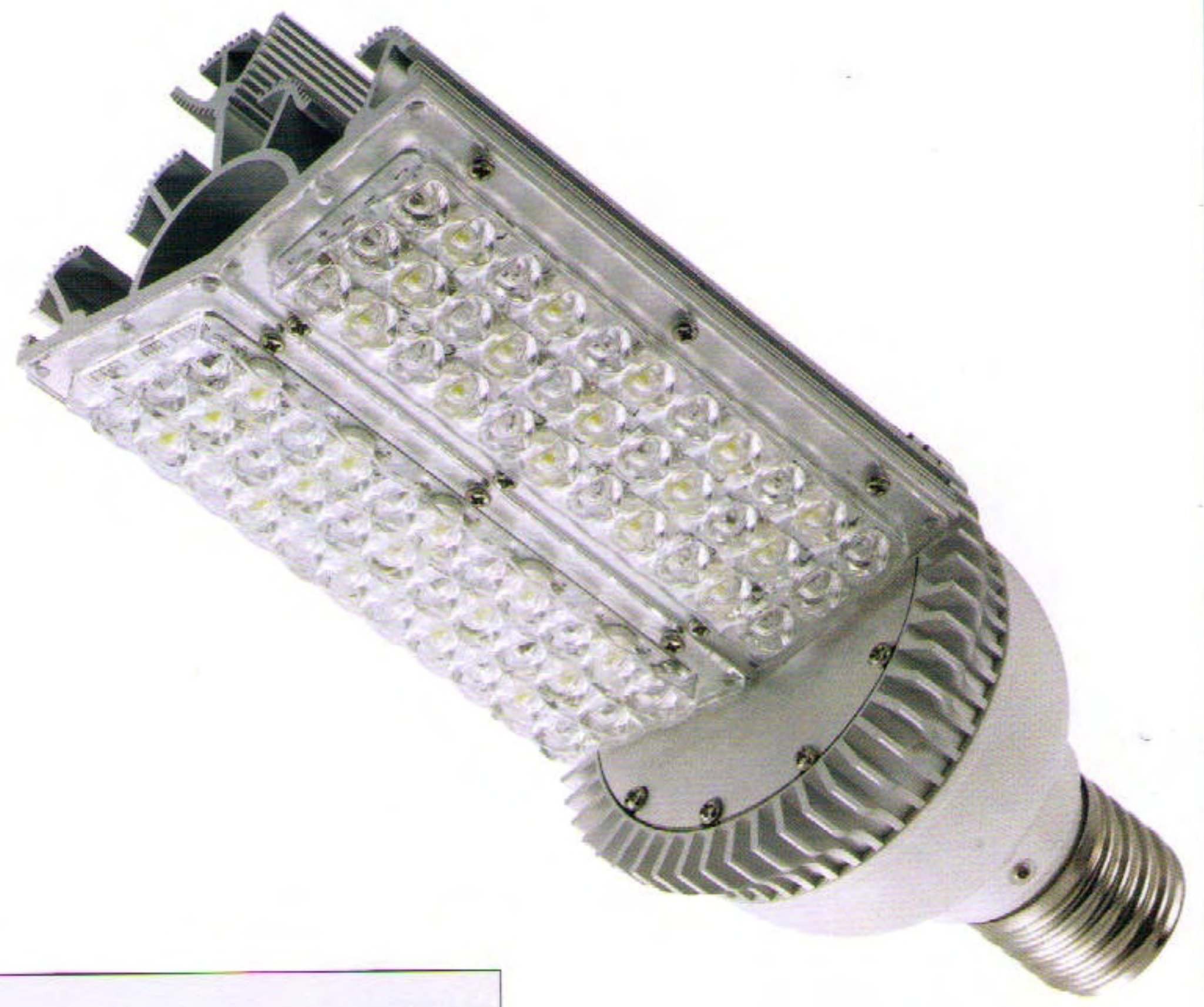
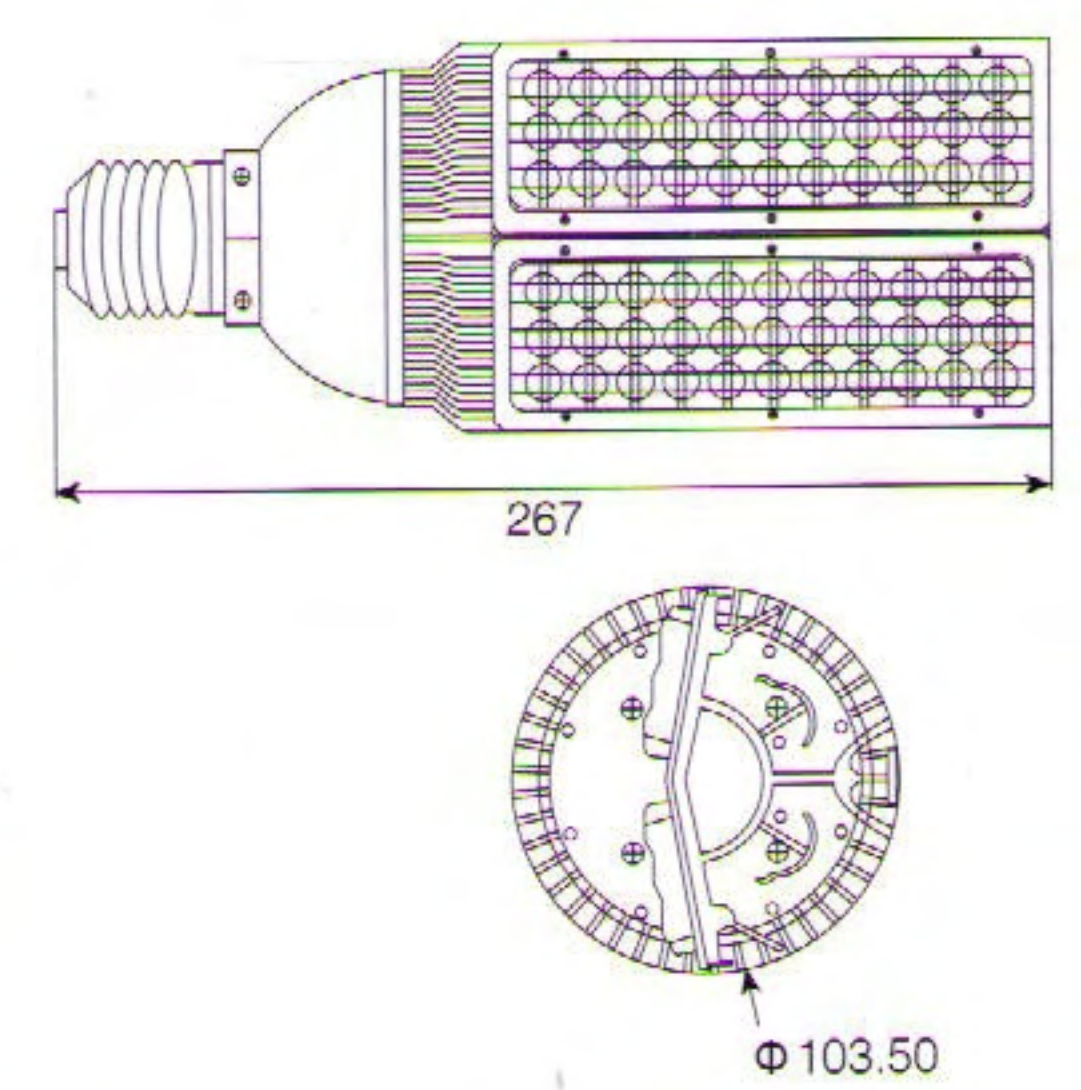


K-105 30W LED Street Light



Model	K-105-30W
Input Voltage	85-285VAC; 12 or 24VAC/DC
Frequency Range	47 ~ 63 Hz
Power Factor(PF)	> 0.92
Total Harmonic Distortion (THD)	< 20%
Power Efficiency	85%
Working Voltage	85-285VAC, 12 or 24VAC/DC
LED Consumption	30 W
LED Luminous Efficiency	≥ 105 lm/w
LED Initial Flux	2,750 lm (Tj=25°C)
LED Maintain Flux	2,500 lm (Tj=70°C, Ta=25°C)
Lamp Output Flux	2,350 lm (Tj=70°C, Ta=25°C)
Lamp's Efficiency (%)	>90 %
Illumination (E)	(Height=6 m) ≥ 20.5 lux (Equal to HPS 40 lux) (Height=8 m) ≥ 11.5 lux (Equal to HPS 25 lux) (Height=10 m) ≥ 8 lux (Equal to HPS 18 lux) (Height=12 m) ≥ 6.5 lux (Equal to HPS 12 lux)
Effective Illuminated Area	20 × 8 m (Height=6m) 26 × 10 m (Height=8m)
Color Temperature	Warm White, Pure White, Cool White
Color Index(CRI)	Ra > 78
Light Source	High Power 1 Watt LED
Light Distribution Curve / Beam Pattern	Asymmetric (Bat Wing) / Rectangular Beam
The Highest Light Intensity Angle	120° :The Horizontal Axis:110° , The Vertical Axis:45° ; 140° :The Horizontal Axis:130° , The Vertical Axis:45°
Beam Angle	120° :The Horizontal Axis:110° , The Vertical Axis:45° ; 140° :The Horizontal Axis:130° , The Vertical Axis:45°
Junction Temperature (Tj)	70 °C × 1 0% (Ta= 25°C)
Lamp base	E27/E40
IP rating	IP60
Working life	>50000 Hours

Product Dimension (mm)



Packing Dimension (mm)

9pcs/Carton
400 × 400 × 370mm

